

Housing cover code:
 0: Aluminum cover
 1: Aluminum cover with LED lamp

MINI TYPE(Aluminum alloy cover)

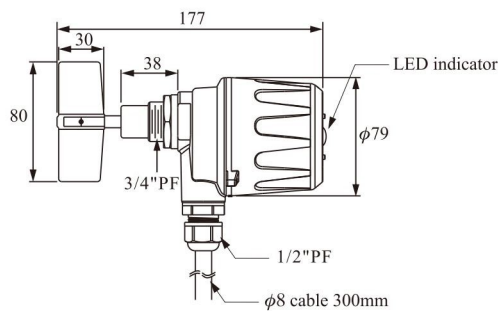
NEPSI PROOF No.GYJ14.1148 DIP A20/21 T., T3~T6 IP65

- **Power source** : (A)110Vac,(B)220Vac,(C)240Vac,(D)24Vac, 50/60Hz,(E)24Vdc
- **Power consumption** : 1.5W
- **Contact capacity** : 5A/250Vac, 5A/30Vdc
- **Rotary speed** : R.P.M.
- **IP rating** : IP65
- **Housing material** : Aluminum alloy
- **Ambient temperature** : -40°C ~ 85°C
- **Cable length** : 300mm (available for custom length)
- **Material density** : 0.3
- **Display status** : Green(Working), Red(Stopped)

STANDARD

SE3□□0 Series

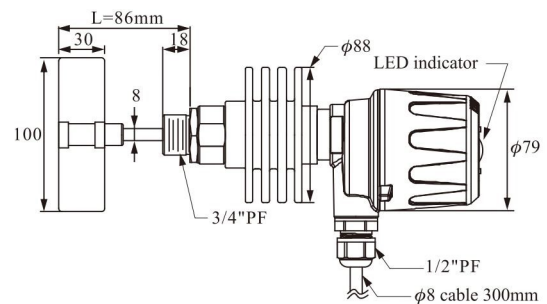
- Operation temperature: -40°C ~ 85°C
- Paddle material: PC



HIGH TEMPERATURE TYPE

SE3□□4 Series

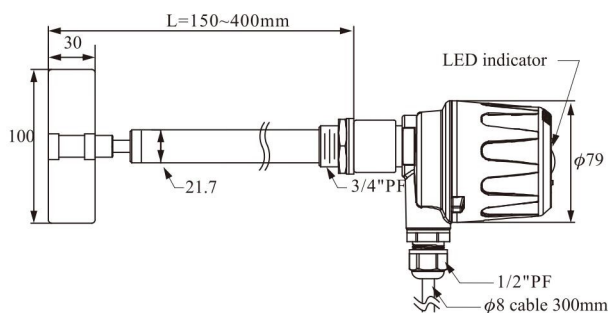
- Operation temperature: -40°C ~ 200°C
- Paddle material: SUS304



SHAFT PROTECTIVE TUBE TYPE

SE3□□2 Series

- Operation temperature: -40°C ~ 85°C
- Paddle material: SUS304



HIGH TEMPERATURE SHAFT PROTECTIVE TUBE TYPE

SE3□□5 Series

- Operation temperature: -40°C ~ 200°C
- Paddle material: SUS304

